

Comfit Couplers for PE Cable Ducts

Product Technical sheet



ABOUT

Comfit couplers are a push-fit coupler with a streamlined design for connecting PE cable ducts.

The couplers are suitable for cable blowing applications and possess the following characteristics:

- Push-Fit action ensuring fast and easy installation without the use of tools
- Water tight and air tight
- UV stabilized.
- Resistant to corrosion and many chemicals.



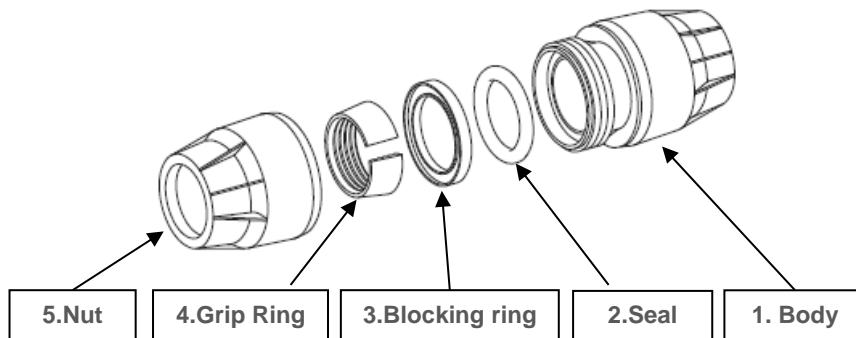
AVAILABLE PRODUCTS

size	Cat No	Unit Weight	Pack Quantity
25x25	40025M0025	0.040kg	144
27x27	40027M0027	0.040kg	144
32x32	40032M0032	0.090kg	70
40x40	40040M0040	0.175kg	60
50x50	40050M0050	0.300kg	33

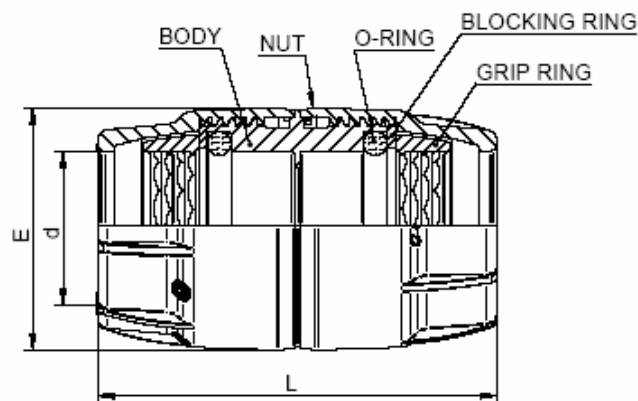
size	Cat No	Unit Weight	Pack Quantity
3/4"	40-02M0002	0.040kg	144
1"	40-03M0003	0.090kg	70
1 1/4"	40-04M0004	0.200kg	56
1 1/2"	40-05M0005	0.280kg	36
2"	40-06M0006	0.680kg	30

MATERIALS

#	Part	Raw Material	color
1	BODY	Polypropylene	Grey
2	SEAL	Nitrile Rubber	Black
3	BLOCKING RING	Polypropylene	Grey, Blue
4	GRIP RING	Acetal	White, Orange
5	NUT	Polypropylene	Grey



DIMENSIONS



DN	L	d	E
25	71	25.5	43
27	71	27.5	43
32	90	32.5	56
40	117	41.2	70
50	145	51.2	85
63	188	62.2	109
¾"	71	27.5	43
1"	91	34.2	56
1¼"	126	43.2	72
1½"	145	49.2	82
2"	188	62.2	109

* All dimensions in mm



TECHNICAL SPECIFICATIONS

Pressures: Rated 12bar (Higher pressures to 16bar may be used for short periods during blowing operations).

Working temperatures: -15° C to +60°C

Pull out forces (1h, 20 °C, PE63):

Diameter	SDR	25mm	27mm	32mm	40mm	50mm	63mm	¾"	1"	1¼"	1½"	2"
Maximum Force	11	1.4kN	1.4kN	2kN	3kN	5kN	7.8kN	1.4kN	2.2kN	3.5kN	4.5kN	7kN
Maximum Force	13.5	0.9kN	0.9kN	1.7kN	2.6kN	4kN	6.5kN	0.9kN	1.8kN	2.9kN	3.8kN	5.9kN

Cable duct dimensions:

Cable duct dimensions should be in accordance with recognized standards for PE pipe e.g. ISO4427, EN12201, EN13244, ASTM D3035 etc., however some deviation is possible within the following tolerances (dimensions in mm).